

# MASTERSPIKES BIRD DETERRENT SPIKES

Mastermark Pte Ltd  
8 Temasek Boulevard  
Suntec Tower Three, #37-03  
Singapore 038988  
Phone (65) 6741 6880  
Email info@mastermark.com.sg  
Web www.mastermark.com.sg  
www.mastermarkshop.com

## All Masterspikes

Pin material : Stainless Steel  
Base material : Polystyrene

## Masterspikes 2 Pin

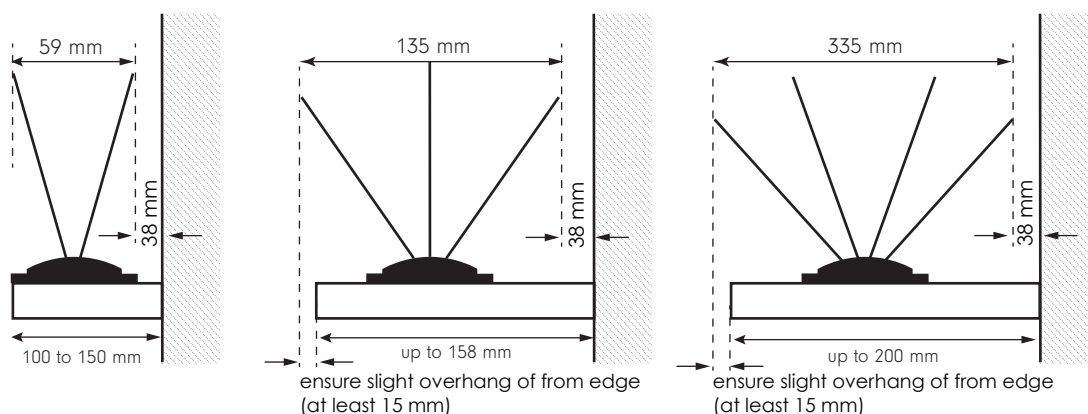
Length: 335 mm (per strip)  
Width: 65 mm  
Height: 110 mm  
Base Width: 65 mm  
Pin Length: 100 mm

## Masterspikes 3 Pin

Length: 335 mm (per strip)  
Width: 135 mm  
Height: 113 mm  
Base Width: 65 mm  
Pin Length: 100 mm

## Masterspikes 4 Pin

Length: 335 mm (per strip)  
Width: 167 mm  
Height: 110 mm  
Base Width: 65 mm  
Pin Length: 100 mm



## MR – Manufacturer

Mastermark Pte Ltd manufactures Masterspikes

## PR – Product Presentation

Masterspikes are a low cost stainless steel and polystyrene ledge product that deters pigeons and larger birds from perching on light to heavy pressure ledges, beams, parapets, overhangs, pipes, signs, edges of roofs, chimneys and more.

The long stainless steel pins protrude upwards in a fan manner which makes it impossible for pigeons to land. The way that the pins are spaced apart, along with its blunt tips, discourages them to gather debris and nesting materials.

Masterspikes are simple to install along with any high tack adhesives. Simply apply the glue onto the base of the spikes and place it onto the surface. The base also features several pre-drilled holes that offers supplementary or extra options to secure the spikes to surfaces by using screws or nails.

Masterspikes come in different configurations to protect any ledge width. Please refer the the diagram above for examples.

## UA – Uses and Applications

Masterspikes can be used on a wide ariety of architectural problems caused by pigeons or larger birds. Masterspikes 2 Pin, 3 Pin and 4 Pin can be used in combination to protect a variety of ledge widths. The tips of the pins are squared off and blunt and, they can be spaced up

to 65 mm apart from each other and up to 40 mm away from the back wall of the ledge. Masterspikes can withstand heavy bird pressure and are visually inconspicuous, therefore, should be consider the first choice for protecting any ledge. Wider ledges of more than 600 mm should be protected with Mastermark's Bird Netting.

## AI – Assembly and Installation

No assembly is required for Masterspikes. Simply apply a line of construction adhesive to the base of the spikes and place directly onto the surface to be protected, and/or screw or nail the base onto the ledge.

## MR – Materials and Finishes

Masterspikes are made of Stainless Steel pins heat inserted on a Polystyrene base which prevents the pins from falling off over time.

## OM – Operation and Maintenance

If Masterspikes are installed as per our specifications, the product should not need maintenance.

## TS – Technical Support

Mastermark's professional field representatives are available to assist in any aspect of evaluation, product recommendation and even in installation. Call +65 6741 6880 or email drawings and other pertinent information to info@mastermark.com.sg. Free consultations are available.





## General

1. Description
  - 1.1 To prevent damage to building surfaces caused by bird excrement and to protect from bird perching, install Masterspikes on exposed or sheltered ledges
2. Quality Assurance
  - 2.1 Obtain technical literature from manufacturer or distributor, telephone consultation and plan/photograph evaluation.
  - 2.2 Utilize certified installation companies such as Mastermark Pte Ltd who are fully skilled with Masterspikes and, carry the proper insurance coverage.
  - 2.3 Utilize labour recommended by Mastermark Pte Ltd for especially challenging installations.
3. Submittals
  - 3.1 Submit manufacturer's samples, catalog cuts, shop sketches and other descriptive material.
4. Product Handling
  - 4.1 Protect Masterspikes from damages before, during and after installations.
  - 4.2 If damage occurs to Masterspikes, replace damaged product immediately.

## Products

5. Acceptable Manufacturer
  - 5.1 Mastermark Pte Ltd, 8 Temasek Boulevard, Suntec Tower Three, #37-03, Singapore 038988
6. Masterspikes 2 Pin
7. Masterspikes 3 Pin
8. Masterspikes 4 Pin
9. Mounting Systems
  - 9.1 Bostik H785 No More Nails adhesive for stone, concrete, mirrors, glass, plasterboard, PU, PVC, hard plastics, enamel, ceramic, copper, lead, zinc, tin, aluminium, metals, alloys, stainless steel, HPL, cement fibre panels, wood or where holes are not desired.
  - 9.2 Self-tapping stainless steel screws for sheet metal surfaces.
  - 9.3 Self-tapping wood screws for wood surfaces.

## Execution

10. Examination
  - 10.1 Survey the area where installation will be. Notify the architect of detrimental work conditions and do not proceed until conditions are corrected.
  - 10.2 Surface Preparation
    - 10.2.1 Surfaces where installation will be should be cleaned. The surface should then be dry and free of peeling paint, rust, bird droppings or other debris. Bird droppings shall be removed in a safe manner; large quantities shall be removed and disposed of by reputable waste removal companies.
    - 10.2.2 Remove or repair articles that may damage Masterspikes after installation, such as tree limbs, brush, and loose parts of the building.
11. Installation
  - 11.1 When installing Masterspikes on surfaces that are not able to be drilled, apply continuous line of Bostik H785 No More Nails High Tack to the base of each strip of Masterspikes and place it on the surface to be protected. Follow recommended installation instructions, which are supplied by the manufacturer. The Masterspikes shall overhang the ledge by 1/4", and the tips can be up to 2.5" from the back wall of the ledge.
  - 11.2 Masterspikes shall cover the complete ledge, not just the outer perimeter. Masterspikes shall extend to each corner. Masterspikes is an anti-landing device, not a barrier. It is acceptable to leave 2.5" between rows (measured from the tip of the pin) of Masterspikes narrow or wide.
  - 11.3 Masterspikes shall be installed in a straight linear manner, or must follow the contours of the architecture perfectly. Uneven spacing of Masterspikes will result in an unattractive installation, and space left between ends of Masterspikes will present a landing opportunity for the deterred birds. Refer to Masterspikes installation literature for details.
  - 11.4 Inspection
  - 11.5 Visually inspect Masterspikes for poor adherence to mounting surfaces, or other problems related to poor installation or surface preparation.
    - 11.5.1 Repair as necessary immediately.